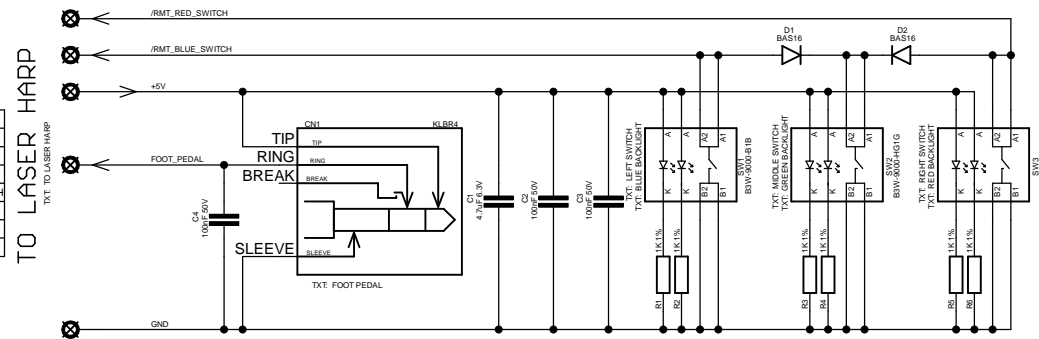




PIN	WIRE COLOR	SIGNAL
1	BLUE	+5V
2	YELLOW	/RMT_RED_SWITCH
3	BROWN	FOOT_PEDAL
4	WHITE	/RMT_BLUE_SWITCH
5	SHIELD	GND
6	SHIELD	NC
SHELL	SHIELD	GND



[HTTP://WWW.HARPELASER.COM](http://www.harpelaser.com)

Copyright 2010 under the Creative Commons Attribution Share-Alike

<http://creativecommons.org>

LOG02
LEAD FREE



ALL SMD CAPACITORS ARE X7R UNLESS OTHERWISE SPECIFIED

(*) = NOT MOUNTED

MORISSEAU Franck
A.K.A. GENESIS



FIRST ISSUE 10/07/2011
LAST UPDATE 14/07/2012

RS = RADIOSPARES
FR = FARNELL
DK = DIGIKEY

HAMMOND
ENCLOSURE

ENCLOSURE
HAMMOND-ENCLOSURE1551K8K

SCHEMA: remote_control_1
NOM: LASER HARP
REF.: REMOTE CONTROL REV.: A
DATE: 14/07/2012 21:45:03
PAGE: 1/1 A4H-GENESIS

REPRODUCTION PARTIELLE OU TOTALE
SOUmise A MON ACCORD PREALABLE